

NT-FS

- **Nearly invisible Flush Mount Temperature Sensing Probe**
- **10K type III Thermistor in a Special enclosure for mounting in sheetrock or in wood**
- **Temperature Range 28°F to +119°F (-2°C to +48°C)**
- **Works with NetX X-Series Thermostats**
- **Requires NT-URS**



GENERAL DESCRIPTION:

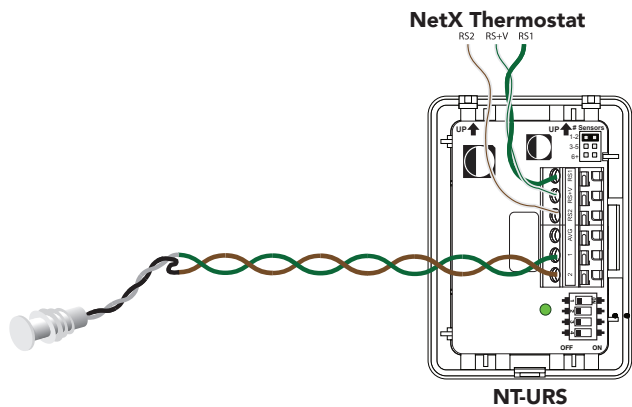
The NetX NT-FS flush mount remote temperature probe is designed to work in conjunction with the NT-URS remote sensor or any other thermostat electronics using a 10K type III thermistor sensing mechanism. One (1) sensor can be connected to each NT-URS, replacing the internal sensor included in the electronics. The NT-FS is a 10K type III thermistor in a special enclosure for mounting in sheetrock or in wood, giving a nearly invisible method of sensing temperature.

SPECIFICATIONS:

Thermostat Sensing Range:	28°F to 119°F (-2°C to 48°C)
Control Accuracy:	±1°F @ 68°F (0.5°C @ 20°C)
Remote Sensor Terminations:	Two Wire connected to NT-URS



WIRING DIAGRAMS:



NT-URS SENSOR TYPE CONFIGURATION

INDOOR Uses Internal temperature sensor or Indoor probe like the NT-FS or NT-FS-S	AUX 1 Uses internal temperature sensor or external probe. The external probe connects to 2-screwless terminals
OUTDOOR Uses outdoor probe. Has specific curve. Probe connects to 2-screwless terminals Ignores Temp/Hum Sensor	AUX 2 Uses internal temperature sensor or external probe. The external probe connects to 2-screwless terminals
INDOOR HUMIDITY ONLY Uses Internal Humidity sensor.	AUX 3 Uses internal temperature sensor or external probe. The external probe connects to 2-screwless terminals